




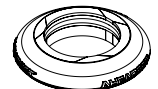



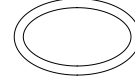
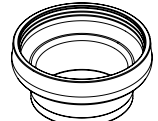
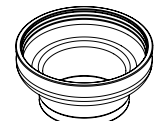
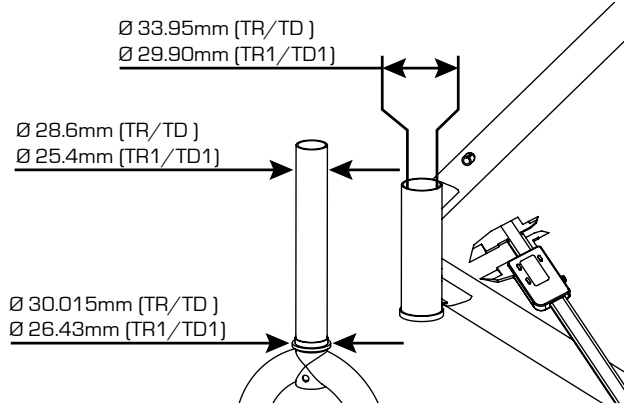


-  .AAB X 1
-  .AHDCAP001 X 1
-  .ASN8 X 1
-  .ASNO (TR1) X 1
-  .AHDCOVE286 X 1
-  .AHDCOVE254 (TR1) X 1
-  .AHDCONE286 X 2
-  .AHDCONE254 (TR1) X 2
-  .AHDBALLS022 X 2
-  .AHDORING01G X 2
-  .AHDCUPTR286 X 2
-  .AHDCUPTR254 (TR1) X 2

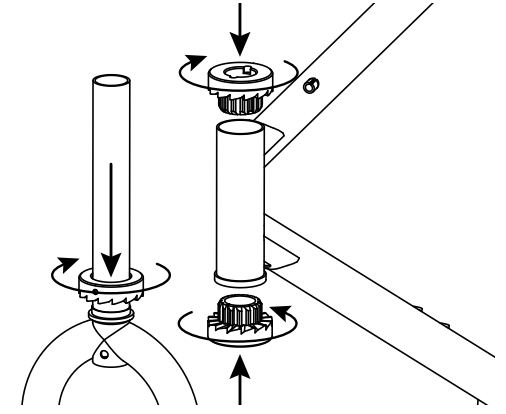
## 1 CONFIRM MEASUREMENTS

WWW.HEADSETFITFINDER.COM



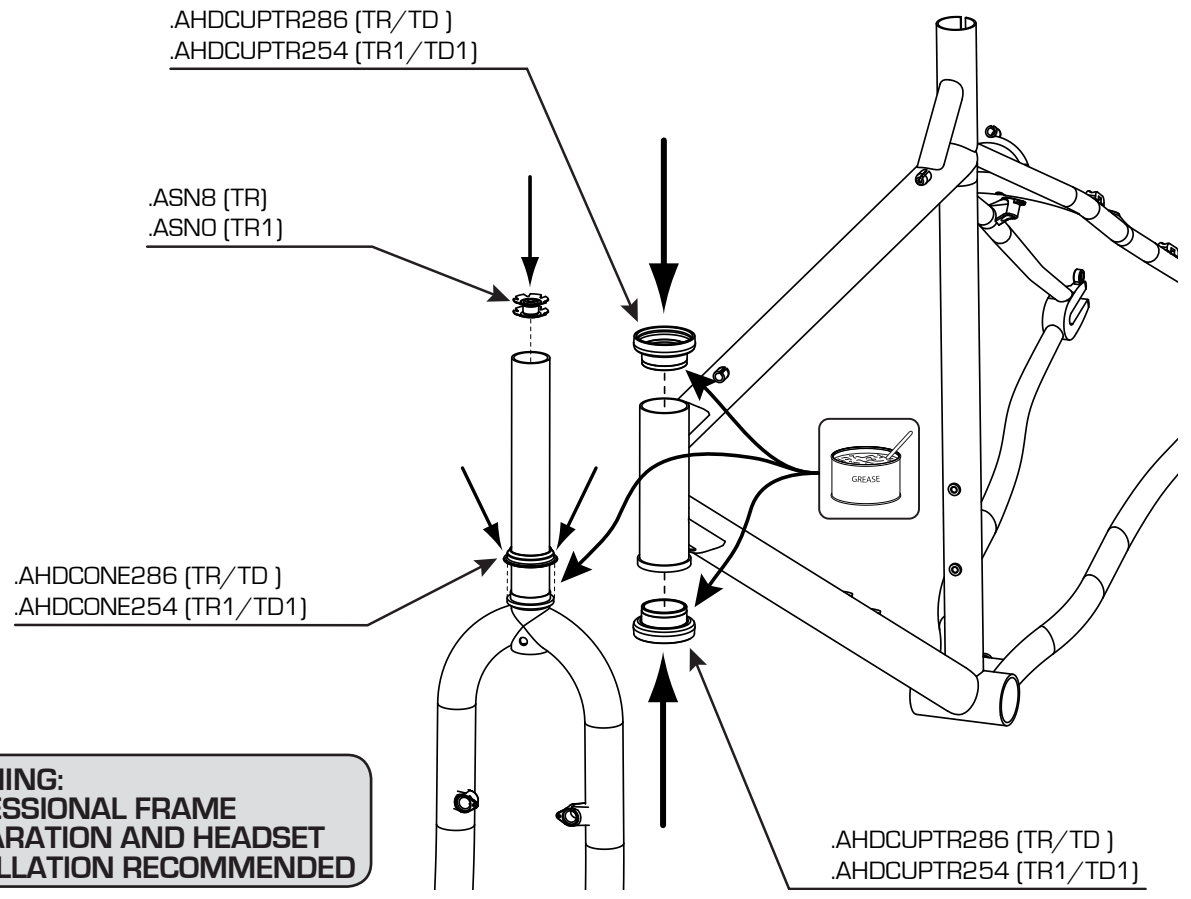
## 2 PREPARE FRAME & FORK

WWW.CANECREEK.COM/TECH-CENTER



## 3 INSTALL HEADSET PARTS

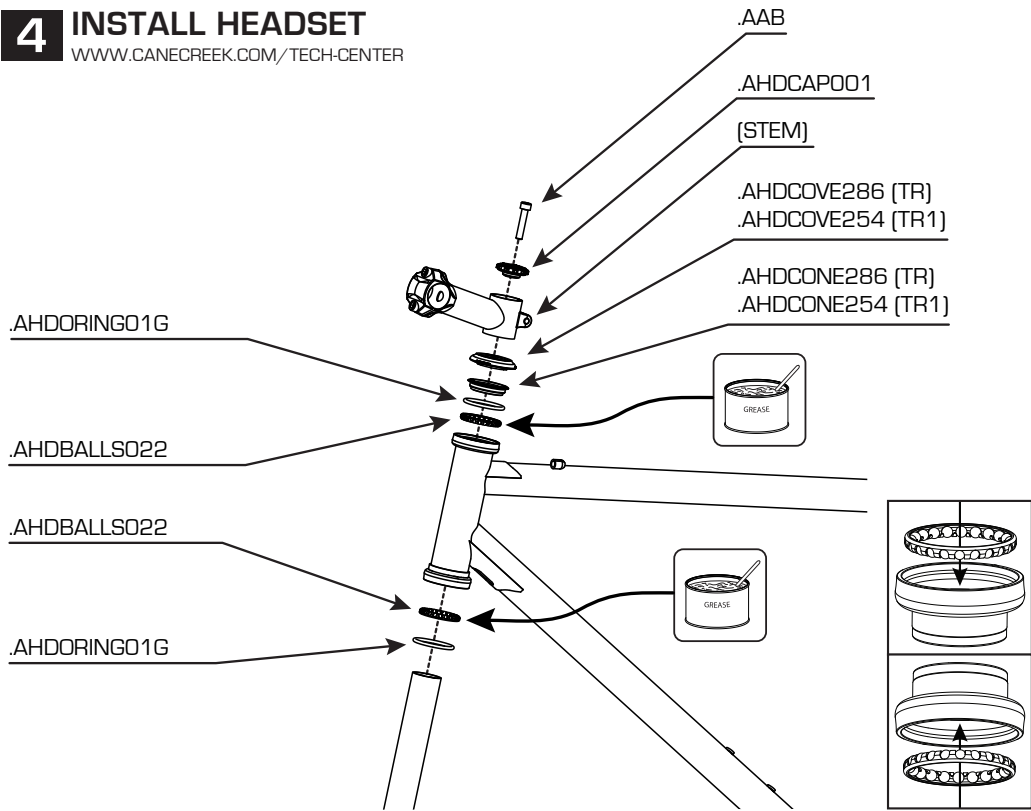
WWW.CANECREEK.COM/TECH-CENTER



**WARNING:**  
 PROFESSIONAL FRAME  
 PREPARATION AND HEADSET  
 INSTALLATION RECOMMENDED

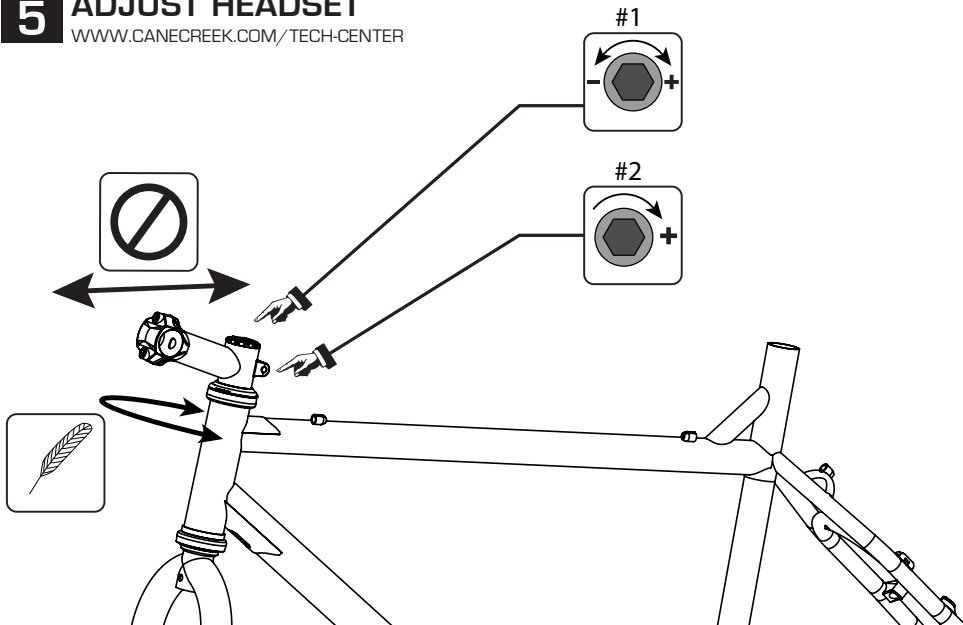
## 4 INSTALL HEADSET

WWW.CANECREEK.COM/TECH-CENTER



## 5 ADJUST HEADSET

WWW.CANECREEK.COM/TECH-CENTER



## AHEADSET®, A PRODUCT OF CANE CREEK CYCLING COMPONENTS

### WARRANTY

Cane Creek Cycling Components warrants its headsets for a period of one year from the date of original purchase. Any headset found to be defective in materials or workmanship will be repaired or replaced at the discretion of Cane Creek. This warranty applies only to the original owner. This warranty does not cover damage or failure resulting from misuse, abuse, alteration, neglect, wear and tear, crash or impact, lack of maintenance or other conditions judged by Cane Creek to be abnormal, excessive or improper. It is mandatory that a Return Authorization Number (RA#) be obtained by contacting Cane Creek before any product is returned.

Warranty claims outside of the United States can be made by contacting the appropriate Aheadset® or Cane Creek distributor.

### Contact:

AHEADSET  
c/o Cane Creek Cycling Components  
355 Cane Creek Rd.  
Fletcher, NC 28732

P: +1 828 684 3551  
F: +1 828 684 1057  
E: info@canecreek.com

**WARNING:** Many bicycle service and repair tasks require special knowledge and tools. In order to help minimize the chances of an accident and possible injury, it is critical that you have any installation, repair or maintenance performed by a professional bicycle mechanic or dealer. Do not begin any adjustments or service on your bicycle yourself until you have learned from your mechanic or dealer how to properly complete them. Improper adjustment or service may result in damage to the bicycle or an accident, which can cause serious injury or death.

Equally important is that your individual maintenance requirements will be determined by everything from your riding style to geographic location. Consult your dealer or mechanic for help in determining your maintenance requirements. Like any mechanical device, a bicycle and its components are subject to wear and stress. Different materials and mechanisms wear or fatigue from stress at different rates and have different life cycles. If a component's life cycle is exceeded, the component can suddenly and catastrophically fail, causing serious injury or death to the rider. Scratches, cracks and discoloration are signs of stress-caused fatigue and indicate that a part is at the end of its useful life and needs to be replaced. While the materials and workmanship of bicycle components may be covered by a warranty for a specified period of time by the manufacturer, this is no guarantee that the product will last the term of the warranty. Product life is often related to the kind of riding you do and to the treatment to which you submit the product. A component warranty is not meant to suggest that the component cannot be broken or will last forever.

Before installing any component or accessory ensure that it is compatible with your bicycle by checking with your dealer.

Copyright ©2010 Cane Creek Cycling Components

.AHDLEARNTRA (TR / TR 1)